



Innovative Products

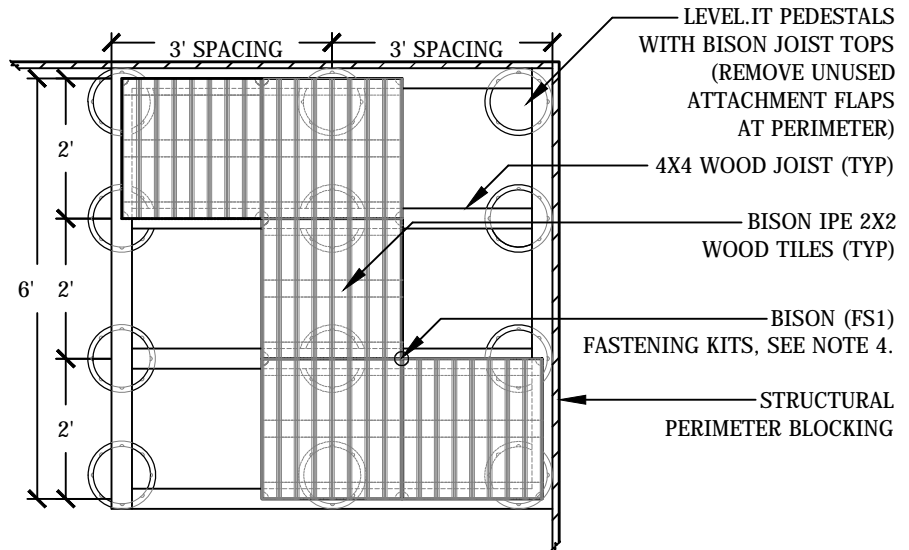
2395 West 4th Avenue Denver, CO 80223 USA  
 Phone 303.892.0400 Toll Free 800.333.4234 Fax 303.825.5988  
 EMail [info@BisonIP.com](mailto:info@BisonIP.com) Web [www.BisonIP.com](http://www.BisonIP.com)

**LEVEL.IT**  
 Adjustable Deck Supports

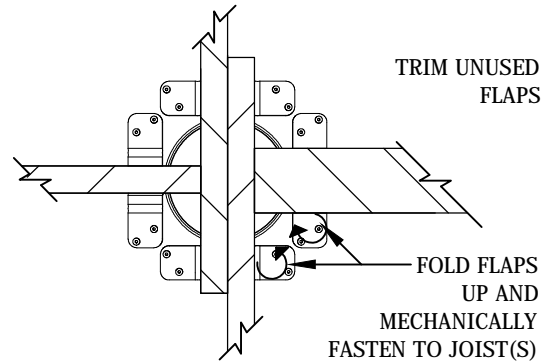
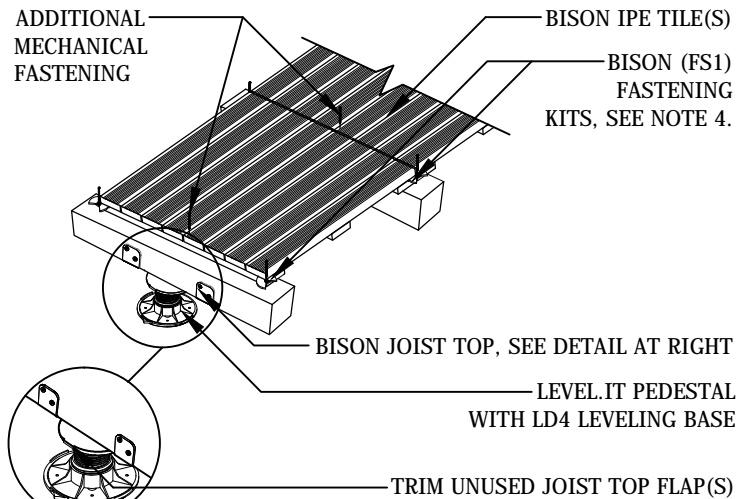
**BISON JOIST TOP DETAILS WITH BISON 2X2 TILES**

**GENERAL NOTES**

1. FIRST MECHANICALLY FASTEN JOIST TOP TO TOP OF PEDESTAL USING BISON PROVIDED SCREW.
2. WOOD JOISTS OR BEAMS ARE INSTALLED ON TOP OF THE PEDESTALS.
3. FOLD FLAPS AROUND JOIST OR BEAM AND MECHANICALLY FASTEN WITH WOOD SCREWS.



**TWO WAY BEAM DETAIL- SAMPLE BISON JOIST TOPS WITH IPE TILE LAYOUT**



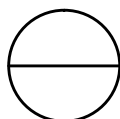
BISON JOIST TOP ACCOMMODATES NOMINAL WIDTH SIZED 2X AND 4X4 LUMBER.

**BISON WOOD TILES TO JOIST DETAIL**

**TYPICAL JOIST TOP WITH LUMBER VIEW**

GENERAL NOTES: APPLY TO ALL OF THE ABOVE PRODUCTS

1. INSTALLATION MUST BE COMPLETED IN ACCORDANCE WITH BISON INNOVATIVE PRODUCTS SPECIFICATIONS.
2. DRAWINGS NOT TO SCALE.
3. CONTRACTOR'S NOTE: FOR PRODUCT AND COMPANY INFORMATION VISIT [www.BisonIP.com](http://www.BisonIP.com)
4. MECHANICAL FASTENING KITS (FS1) ARE INSTALLED AT BISON TILE CORNERS.



**JOIST TOP AND TILES**

SAMPLE JOIST AND WOOD TILE LAYOUT