

# Bison ScrewJack Pedestal Installation Guide

## B-Series Spacer Tab

3/16" (4.5 mm) integrated tabs

## B-Series Top

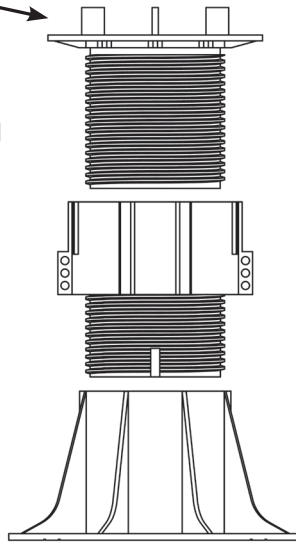
Comes screwed into B-Series Base. Unscrew top until thread engagement indicators are felt and heard. **DO NOT** extend beyond this point except to add a C4 Coupler to a B3 or B4 Pedestal.

## C4 Coupler

Insert coupler to reach higher elevations. Thread engagement indicators warn of overextension. **DO NOT** extend couplers beyond this point. (Item C4 sold separately)

## B-Series Base

Comes screwed into B-Series Top. Unscrew top until thread engagement indicators are felt and heard. **DO NOT** extend beyond this point except to add a C4 Coupler to a B3 or B4 Pedestal.



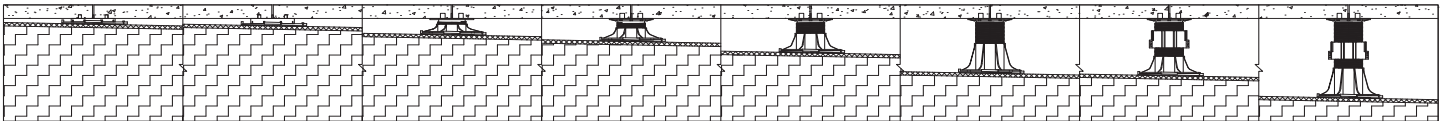
Bison ScrewJack Pedestals are packaged with the top and base fully assembled in the pedestal's lowest height position. To increase the height, simply unscrew. **DO NOT** extend the height of the pedestal past the built-in thread engagement indicators unless adding a C4 Coupler.

To further increase the height, continue to unscrew the top and base past the thread engagement indicators until they separate. Insert a C4 Coupler between the top and base and reassemble making certain that they are both screwed past the thread engagement indicators. Screw or unscrew the C4 Coupler while maintaining equal thread engagement between the top and bottom of the coupler for maximum strength.

Available exclusively through Oldcastle Westile, the Bison ScrewJack (B-Series) Adjustable Pedestal line has a broad footprint that provides stability, is impervious to freeze thaw cycles, and offers a range of heights suited to a wide variety of applications. Precise integrated spacer tabs allow for deck drainage and uniform paver spacing, simple accessories adjust for slope, and the screw-to-adjust height settings assure a perfectly level deck.

The Bison ScrewJack Pedestal series reaches heights from 1-1/4" to 36" (32 to 914 mm) and has a weight bearing capacity of 1,000 lbs (FoS:3). Accessories are available to compensate for slope (up to 1" per foot or 8%) and accommodate low height applications from 1/8" to 1-1/4" (3.2 to 32 mm). Use ScrewJack Pedestals with the Bison Brace System for excess height installations from 24" to 36" (610 to 914 mm) or for installations requiring additional stability. Proudly manufactured in the U.S.A.

**IMPORTANT:** Refer to ScrewJack product specifications to ensure proper use and installation. For more information visit [www.bisonip.com](http://www.bisonip.com).



FIXED HEIGHT PEDESTALS		ADJUSTABLE PEDESTALS					
HD50 (1/2")	HD75 (3/4")	B1 (1-1/4" to 2")	B2 (2" to 3")	B3 (3" to 4-3/4")	B4 (4-3/4" to 7-3/4")	B3 + C4 (7-3/4" to 9")	B4 + C4 (9" to 12")

NOTE: Pedestals each shown with one optional LD4 slope compensation accessory.

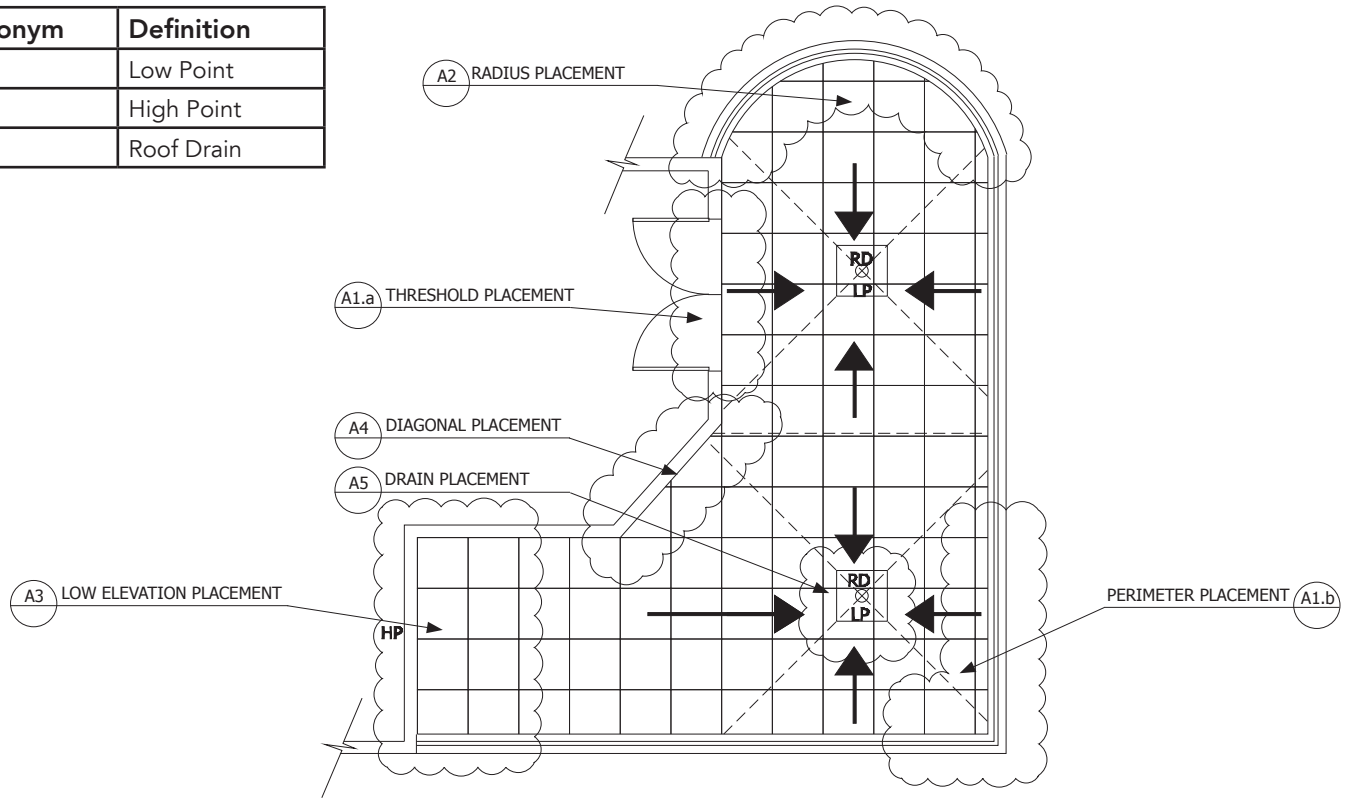
## Maintenance Guide

Routine maintenance of your paver deck system will enhance the beauty, reduce major repairs, and prolong the life of your deck. Below is a list of maintenance guidelines that should be performed on a regular basis:

1. Check for pavers that rock. If you notice pavers rocking back and forth while walking on the deck, lift the paver up and shim one or more corners until the paver is level on all four corners. Bison 1/16" (1.5 mm) B11 Shims or 1/8" (3.2 mm) PS1 Shims are available. To ensure pedestal stability, make sure to not exceed the thread engagement indicators.
2. Depending on substrate materials, some settling and/or deflection can occur. Remove the paver and adjust the pedestal until a level height is achieved. You may need to do this to more than one pedestal to level out an area.
3. Clean drains and scuppers on a regular basis. Water should completely drain off the roof deck within 48 hours after rainfall, under ambient drying conditions. Standing or pooling water can be detrimental to some waterproofing systems.
4. Periodically check the spacer tabs between pavers, and replace pedestals with broken spacer tabs. Loss of spacer tabs could create unsafe deck movement.
5. Make sure the edge restraint remains intact. There should not be room around the perimeter of the deck in excess of 3/16" (4.5 mm) width which would allow for lateral movement of the pavers and create an unsafe condition.
6. Follow paver manufacturers' suggestions for upkeep and maintenance of the pavers.

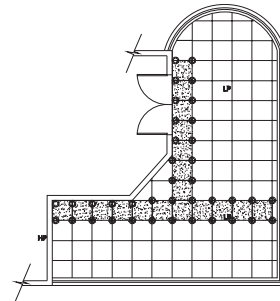
# Advanced Layout and Pedestal Placement

Acronym	Definition
LP	Low Point
HP	High Point
RD	Roof Drain



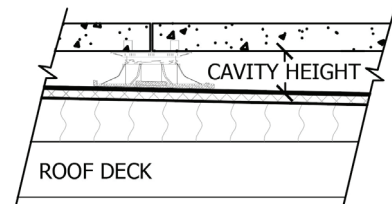
## "T" Method Installation

1. Determine cavity heights at all thresholds, drains, and high points.
2. Deduct thickness of decking material.
3. Mark top of pedestal elevation around deck with chalk line or laser level.
4. Plan paver/pedestal layout pattern in advance.
5. Install "T" shaped portion of deck starting from threshold or high point.
6. Adjust to correct height and level.
7. Install on both sides of the "T".



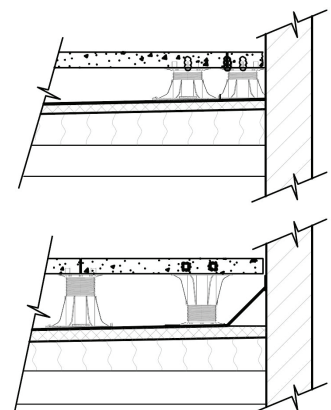
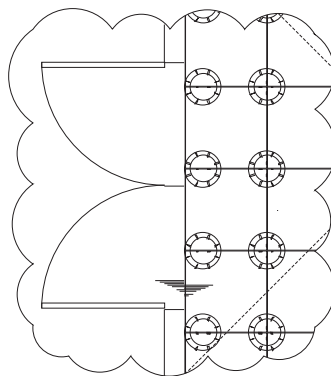
## Determining Cavity Height

- The cavity height is the space between the top of the roofing membrane and the bottom of the decking material.
- Use a laser level or chalk line to assist.



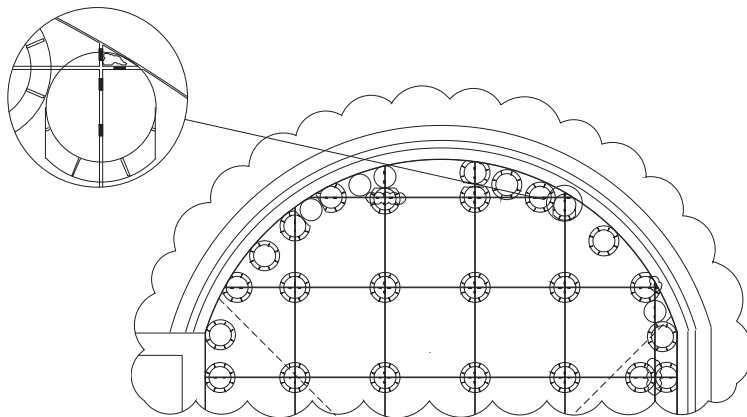
## A1 (a) Threshold and (b) Perimeter Placement

- Use extra pedestals under small cut pieces for additional support.
- Adhere small pavers to top of pedestal with construction adhesive.
- Remove tabs as necessary for perimeter pedestals.
- Turn pedestals upside down or trim pedestal bases as necessary to fit around the perimeter.
- Decking pavers must not be spaced more than 3/16" (4.5 mm) from the perimeter containment.
- Adhere tabs into place with construction adhesive to maintain spacing between pavers when normal tab placement is not possible.



## A2 Radius Placement

- Use extra pedestals under small cut pieces for additional support.
- Adhere small pavers to top of pedestal with construction adhesive.
- Remove tabs as necessary for perimeter pedestals.
- Turn pedestals upside down or trim pedestal bases as necessary to fit around the perimeter.
- Decking pavers must not be spaced more than 3/16" (4.5 mm) from the perimeter containment.
- Adhere tabs into place with construction adhesive to maintain spacing between pavers when normal tab placement is not possible.



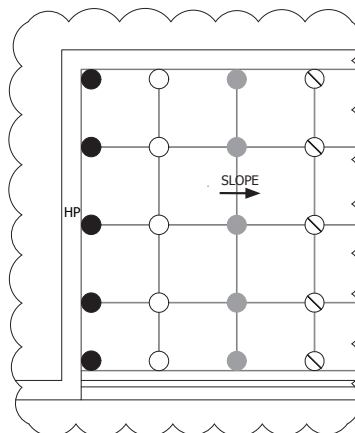
## A3 Low Elevation Placement

For low cavity heights the following pedestals are available:

LOW HEIGHT PEDESTALS		
MODEL:		HEIGHT:
VT316	●	1/8" (3.2 mm)
HD25-316	○	1/4" (6 mm)
HD50-316	●	1/2" (13 mm)
HD75-316	⊗	3/4" (19 mm)
B1	⊗	1-1/4 to 2" (32 to 51 mm)

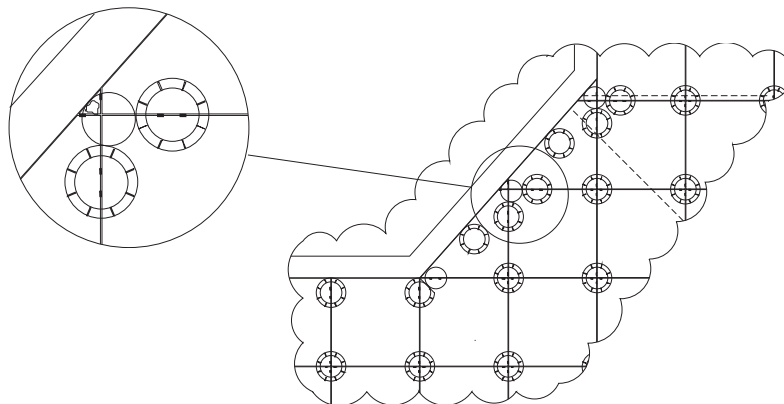
Shims can also be used to accommodate variations in height:

- 1/16" (1.5 mm) B11 Shim
- 1/8" (3.2 mm) PS1 Shim



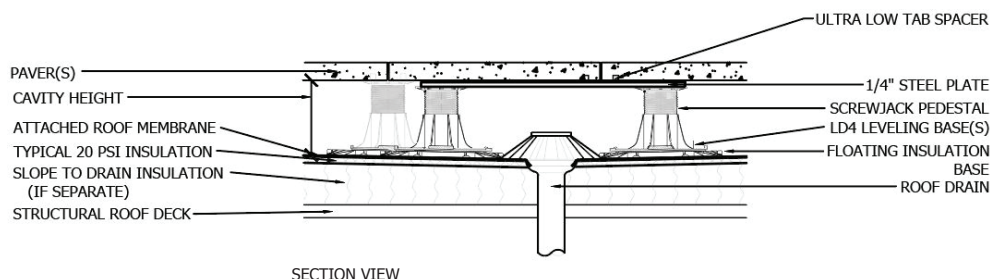
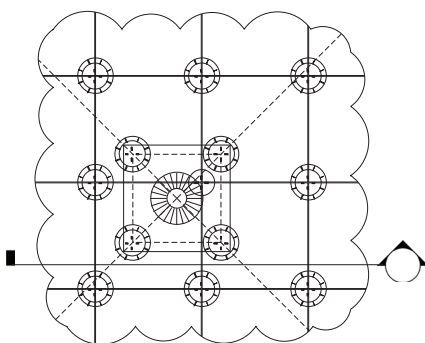
## A4 Diagonal Placement

- Use extra pedestals under small cut pieces for additional support.
- Adhere small pavers to top of pedestal with construction adhesive.
- Remove tabs as necessary for perimeter pedestals.
- Turn pedestals upside down or trim pedestal bases as necessary to fit around the perimeter.
- Decking pavers must not be spaced more than 3/16" (4.5 mm) from the perimeter containment.
- Adhere tabs into place with construction adhesive to maintain spacing between pavers when normal tab placement is not possible.



## A5 Drain Placement

- Elevate a steel plate or spare paver above the drain but below the deck itself.
- Use that elevated paver to support a pedestal where you need for the deck above.

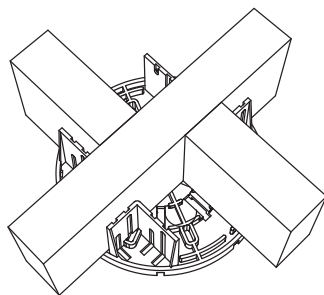


# Working with Wood

## JS Joist Saddle

The JS can be used alone or on top of any Bison Pedestal. A screw is included for attachment to adjustable pedestals. It is designed to support 2x joists in one direction and 4x (or staggered 2x) joists in the other direction. Place a joist between the JS walls and attach it with #8 deck screws (NOT provided).

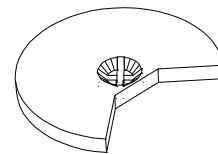
**IMPORTANT:** Do not overtighten screw when attaching the JS to an adjustable pedestal.



AS SHOWN: JOIST SADDLE WITH 2x4 JOISTS (STAGGERED)

## FS-1 Wood Tile Fastening Kit

Place FS-1 washer in the kerf between the surface planks and the runners. Screw FS-1 washer through center hole of spacer tab set and into pedestal.

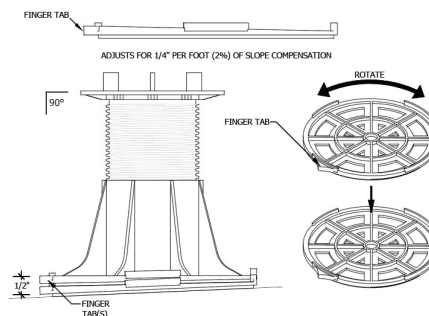


Make sure that washer clamps all corners of wood tiles and then tighten. To remove a wood tile: Loosen screw, and, using a screwdriver, rotate FS-1 washer to release wood tile.

# Slope Compensation

## LD4 Base Leveler

- Use LD4(s) to compensate for slope in order to keep pedestals plumb (vertical) and finished deck elevation level.
- Each LD4 compensates for a 1/4" per foot slope (2%) and adds 1/4" (6 mm) to the overall height of the pedestal. Stack up to 4 total LD4s below the base of a pedestal and rotate to compensate for slopes from 0" to a maximum of 1" per foot slope (0 to 8%).
- Place LD4 on substrate with smooth side down. Center pedestal or additional LD4s between tabs on top.
- Finger tab points downhill for 1/4" per foot slope (2%) when using a single LD4.

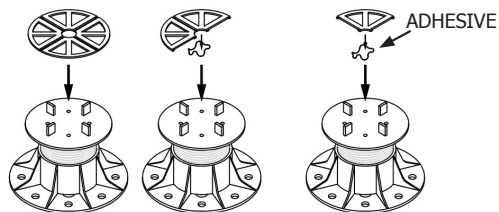


AS SHOWN: 2x LD4s COMPENSATING FOR 1/2" PER FOOT SLOPE (4%)

# Working with Shims

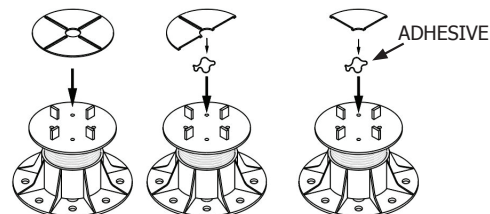
## PS1 1/8" (3.2 mm) Shims - Rigid

PS1s may be placed on top of pedestals to accommodate for minor leveling of pavers with thickness variations. Use no more than 2 shims. If using only a partial segment, adhere it to the pedestal with construction adhesive.



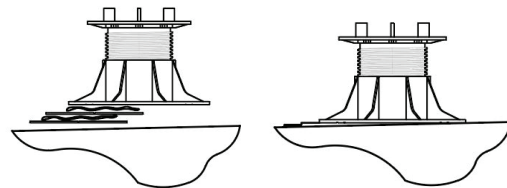
## B11 1/16" (1.5 mm) Shims - Flexible

B11s may be placed on top of pedestals to accommodate for minor leveling of pavers with thickness variations. Use no more than 2 shims. If using only a partial segment, adhere it to the pedestal with construction adhesive.



## PS1 and B11 Shims Under Pedestals

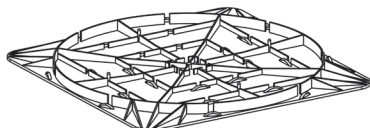
Place shims (whole or in segments) under the pedestal in a stairstep fashion to compensate for sloping substrates. Use no more than 2 shims. Adhere them to each other and to the pedestal with construction adhesive. **IMPORTANT: DO NOT ADHERE TO SUBSTRATE.**



# Pedestal Base Pads

## Floating Insulation Base (FIB)

The FIB is required beneath Bison Pedestals to disperse the deck load over roofing systems with a compressive resistance of 20 to 40 psi (138 to 275 kPa). The FIB provides a large 12" x 12" (305 x 305mm) base bearing surface. FIBs are not recommended for use with VT or HD25 Fixed Height Pedestals. **IMPORTANT:** The pedestal must be placed in the center of the FIB for proper installation. The FIB may be trimmed to accommodate narrow perimeter placement if necessary. Trim at least 4.125" away from the center.



## Floating Foundation Base (FFB)

FFBs are required for use beneath all Bison Pedestal decks installed on-grade (soil). Level the surface and set the FFB directly on-grade as a base below each pedestal.

