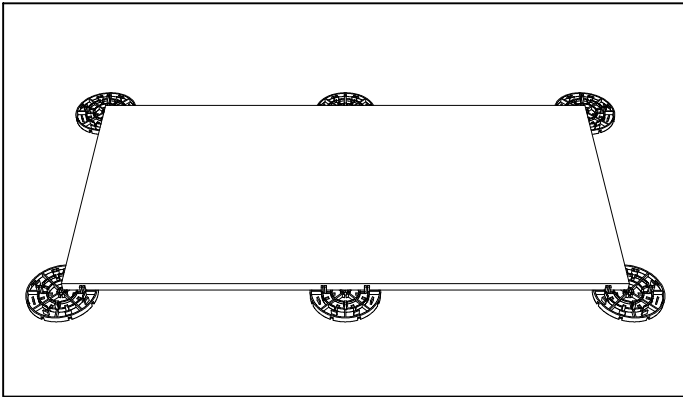


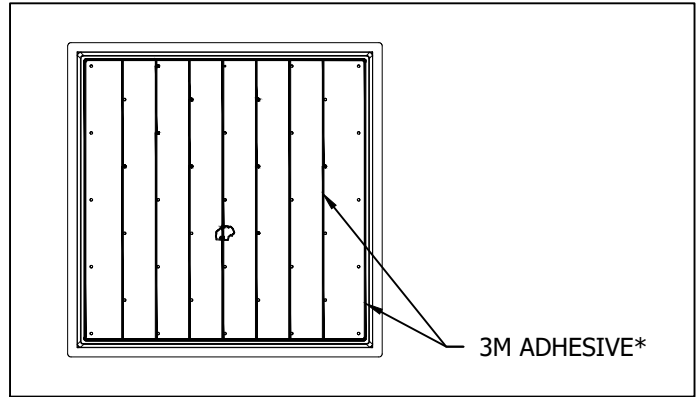


701 Osage Street, Unit 120, Denver, CO 80204 USA  
Phone 303.892.0400 Toll Free 800.333.4234 Fax 303.825.5988  
EMail [info@bisonip.com](mailto:info@bisonip.com) Web [www.bisonip.com](http://www.bisonip.com)

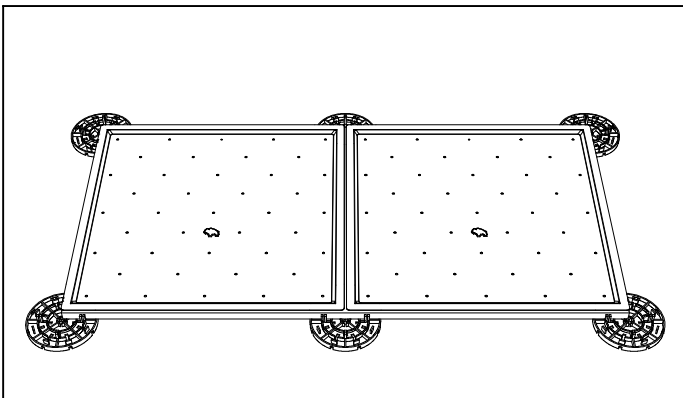
- DURING ASSEMBLY, LIMIT EXPOSURE TO STANDING MOISTURE, DIRECT SUNLIGHT, AND TEMPERATURES OUTSIDE OF 40°F TO 100°F (5°C TO 37°C). CAUTION: USE GLOVES WHEN HANDLING TRAYS.
- REFER TO DETAIL V-101 FOR PT-TRAY COMBINATION SIZING AND OPTIONS.



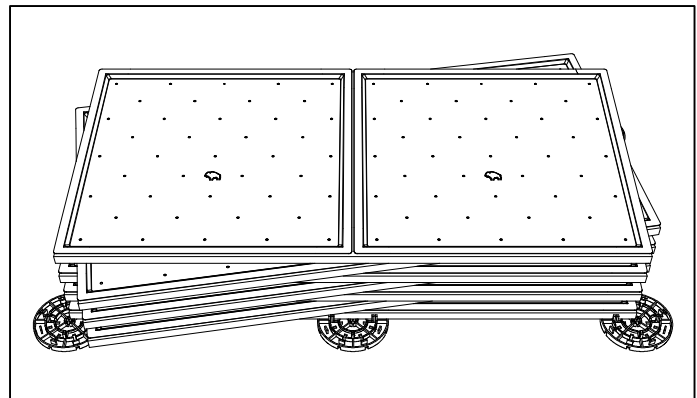
1. PLACE PAVER FINISH FACE DOWN OVER PEDESTALS AS SHOWN. PULL PAVERS FROM DIFFERENT BOXES AND / OR PALLETS IN ORDER TO ACHIEVE AN EVEN COLOR DISTRIBUTION.



2. RUN A 1/8" DIA. BEAD OF PROVIDED 3M ADHESIVE, OFFSET 1/4" FROM THE TOP OUTER EDGE OF EACH TRAY, AND A 1/8" DIA. BEAD ALONGSIDE EACH LINE OF HOLES AS SHOWN.  
\*IMPORTANT: FOR PROPER ADHESION AND PERFORMANCE, ADHESIVE MUST BE APPLIED EXACTLY AS SHOWN. TO PREVENT MOISTURE FROM ENTERING BETWEEN PAVER AND TRAY, A CONTINUOUS PERIMETER BEAD OF ADHESIVE MUST BE INSTALLED ALONG THE EDGE OF THE TRAY.



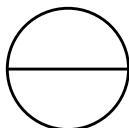
3. PLACE THE ADHESIVE SIDE OF THE TRAYS SQUARELY ONTO THE PAVER, CAREFULLY ALIGNING BY HAND TO MAKE SURE THAT THE TRAY DOES NOT EXTEND BEYOND ANY EDGE OF THE PAVER.



4. REPEATING THE FIRST THREE STEPS, GENTLY LAY EACH NEW PAVER ON TOP OF THE PREVIOUS TRAY, ROTATING AS SHOWN. STACK NO MORE THAN TEN (10x) PAVERS HIGH, AND LET THEM SIT FOR 2 TO 4 HOURS, OR UNTIL THE ADHESIVE HAS CURED, BEFORE HANDLING.

**GENERAL NOTES: APPLY TO ALL OF THE ABOVE PRODUCTS**

1. INSTALLATION MUST BE COMPLETED IN ACCORDANCE WITH BISON INNOVATIVE PRODUCTS SPECIFICATIONS.
2. DRAWINGS NOT TO SCALE.
3. CONTRACTOR'S NOTE: FOR PRODUCT AND COMPANY INFORMATION VISIT [www.BisonIP.com](http://www.BisonIP.com)



## PT-TRAY COMBINATION ASSEMBLY

ADHERING MULTIPLE PT-TRAYS TO THE UNDERSIDE OF LARGE FORMAT PAVERS