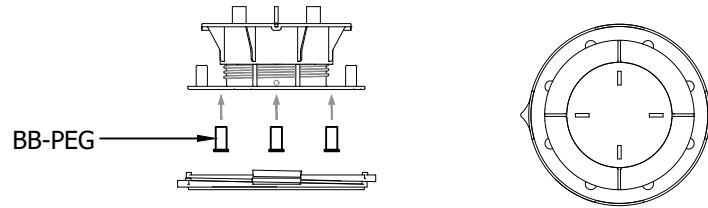


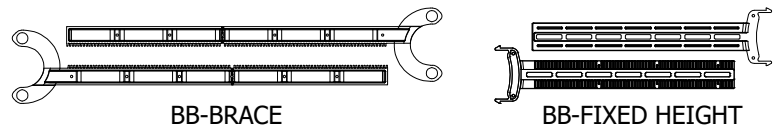


701 Osage Street, Unit 120, Denver, CO 80204 USA
Phone 303.892.0400 Toll Free 800.333.4234 Fax 303.825.5988
EMail info@bisonip.com Web www.bisonip.com

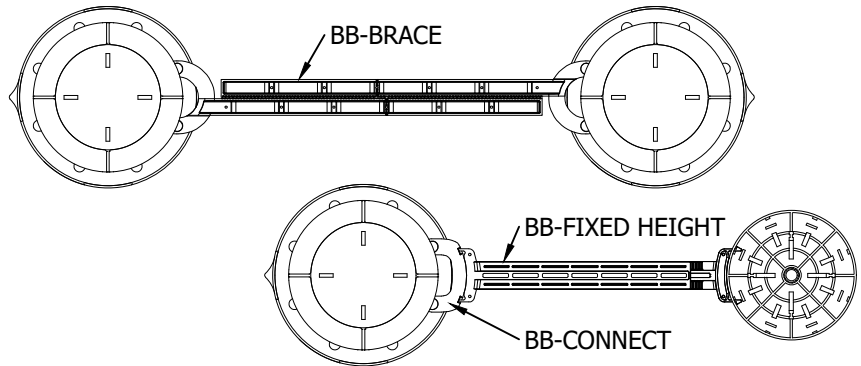
1. REMOVE THE VB BASE LEVELER AND INSERT A PEG INTO EACH OF THE 6 HOLES IN THE BOTTOM OF EACH ADJUSTABLE PEDESTAL TO RECEIVE BRACING, AND CLICK THEM INTO PLACE. THEN REATTACH THE VB BASE LEVELER.



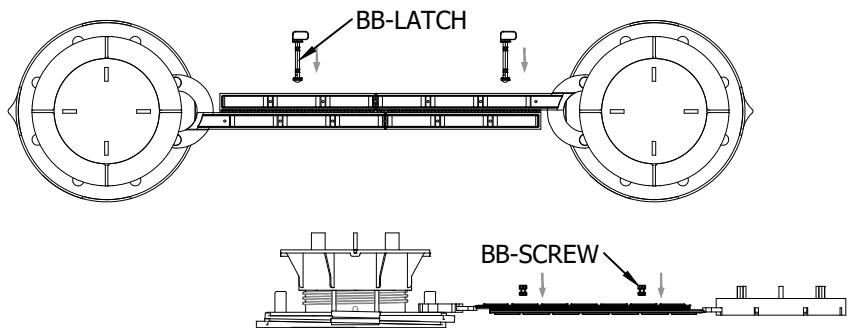
2. DETERMINE HOW LONG THE BRACE SHOULD BE, BASED ON THE SIZE OF THE PAVER. BRACES MAY NEED TO BE CUT DOWN FOR SHORTER DISTANCES.



3. SNAP THE BISON BRACE ONTO THE PEGS IN EACH ADJUSTABLE PEDESTAL. FOR FIXED HEIGHT PEDESTALS, SNAP THE BB-FIXED HEIGHT INTO THE SIDE OF AN HD50 OR HD75. USE A BB-CONNECT TO ATTACH THE BB-FIXED HEIGHT TO AN ADJUSTABLE PEDESTAL.



4. LOCK THE BRACING ARMS TOGETHER BY INSERTING BB-LATCHES INTO THE SIDE OF EACH BISON BRACE OR BB-SCREWS INTO THE TOP OF EACH BB-FIXED HEIGHT, AND TWIST 90 DEGREES.



GENERAL NOTES: APPLY TO ALL OF THE ABOVE PRODUCTS

1. INSTALLATION MUST BE COMPLETED IN ACCORDANCE WITH BISON INNOVATIVE PRODUCTS SPECIFICATIONS.
2. DRAWINGS NOT TO SCALE.
3. CONTRACTOR'S NOTE: FOR PRODUCT AND COMPANY INFORMATION VISIT www.BisonIP.com



BISON BRACE DETAILS

ASSEMBLY INSTRUCTIONS