

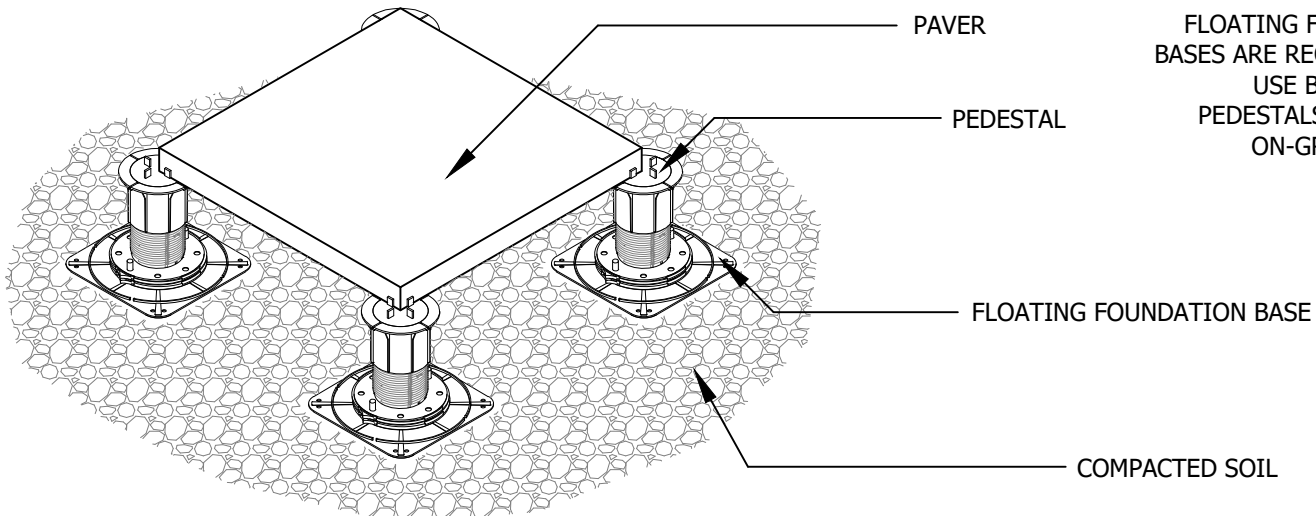


**BISON** Innovative Products

Get CEU Credits, Details, & Specifications online at [www.bisonip.com](http://www.bisonip.com)

701 Osage Street, Unit 120, Denver, CO 80204 USA  
Phone 303.892.0400 Toll Free 800.333.4234 Fax 303.825.5988  
EMail [info@bisonip.com](mailto:info@bisonip.com) Web [www.bisonip.com](http://www.bisonip.com)

**VERSADJUST**  
Adjustable Pedestals



FLOATING FOUNDATION BASES ARE REQUIRED FOR USE BENEATH ALL PEDESTALS INSTALLED ON-GRADE (SOIL).

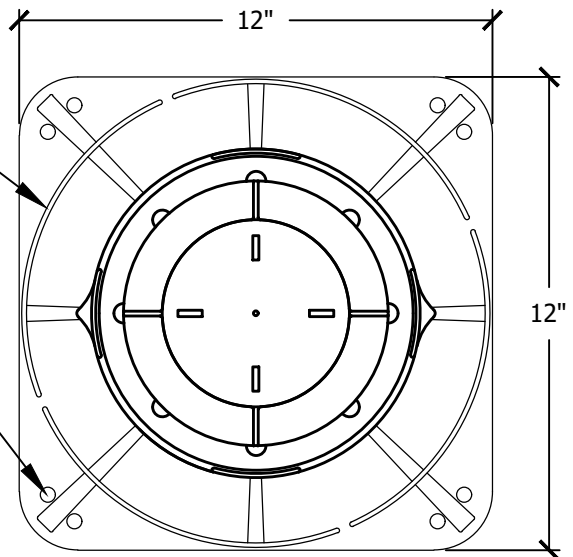
## PEDESTALS ON FLOATING FOUNDATION BASES (FFBs)

THE FFB PROVIDES A LARGE 12" x 12" x 1/4" (305mm x 305mm x 6mm) BASE BEARING SURFACE.

LEVEL AND COMPACT THE SOIL, AND SET THE FFB DIRECTLY ON-GRADE AS A BASE PAD BELOW EACH PEDESTAL.

OPTIONAL: DRIVE TWO (2x) 3/8" DIAMETER X 8" LONG HOT GALVANIZED SPIKES INTO EACH CORNER FOR ADDITIONAL STABILITY.

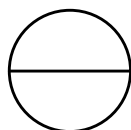
IMPORTANT: ALL SIDES OF THE DECK PERIMETER MUST BE TIGHTLY CONTAINED IN ORDER TO PREVENT ANY LATERAL MOVEMENT.



## PEDESTAL PLACEMENT

**GENERAL NOTES: APPLY TO ALL OF THE ABOVE PRODUCTS**

1. INSTALLATION MUST BE COMPLETED IN ACCORDANCE WITH BISON INNOVATIVE PRODUCTS SPECIFICATIONS.
2. DRAWINGS NOT TO SCALE.
3. CONTRACTOR'S NOTE: FOR PRODUCT AND COMPANY INFORMATION VISIT [www.BisonIP.com](http://www.BisonIP.com)



**FLOATING FOUNDATION BASE**

FFB INSTALLATION